

# SPU.6

SENSORS (C5)

# SPU.6-C5 SENSOR

The SPU.6-C5 is a fully intelligent and addressable sensor



## KEY FEATURES

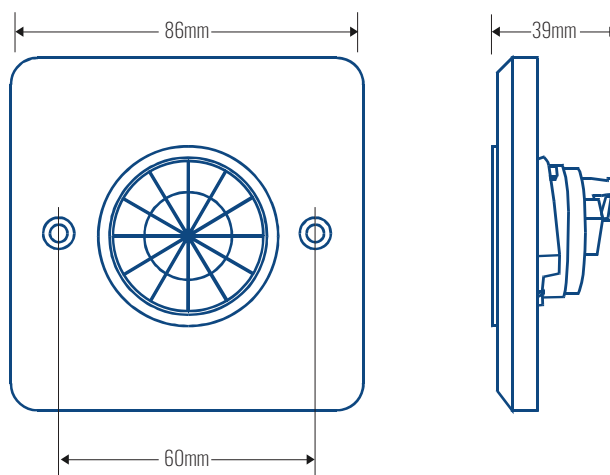
Offers variety of mounting options | Flexible configuration options | 360 degree PIR presence detection | Simple LV bus connection to lighting control module | Wide range linear photocell | LED status indicator | Programmable infra-red receiver

## TECHNICAL SPECIFICATION

SUPPLY | Two wire E-Bus or DALI

WEIGHT | 60g

INGRESS PROTECTION | IP20



	SPU.6-C5
Presence detection - 360 degree	✓
High performance photocell 2-2000 lux	✓
Infra-red receiver	✓
Flexible configuration via SPECS manager graphical software	✓
Connects to E-Bus or DALI pair	✓
Each control element (PIR, PC, IR) can be seperately configured	✓
Device status feedback	✓
For mounting into single metal clad surface mount back box	✓

---

**CONTACT US**

T | 01992 450126

E | SALES@SIMMTRONIC.COM

E | AFTERSALES@SIMMTRONIC.COM

W | WWW.SIMMTRONIC.COM

**HQ | LONDON & SOUTH**

WATERSIDE

CHARLTON MEAD LANE

HODDESDON, HERTFORDSHIRE

EN11 0QR

**MIDLANDS & NORTH**

BLOC

17 MARBLE STREET

MANCHESTER

M2 3AW

---

**SIMMTRONIC**