

SPU.6

SENSORS (C1 & C3)



SPU.6-C1 & C3 SENSORS

The SPU.6-C1 & the SPU.6-C3 are fully intelligent and addressable sensors



SPU.6-C1



SPU.6-C3

KEY FEATURES

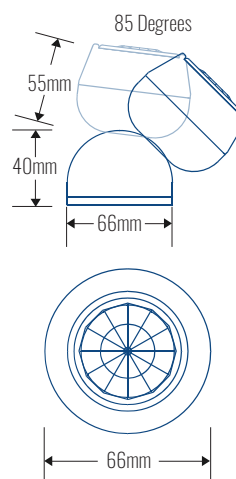
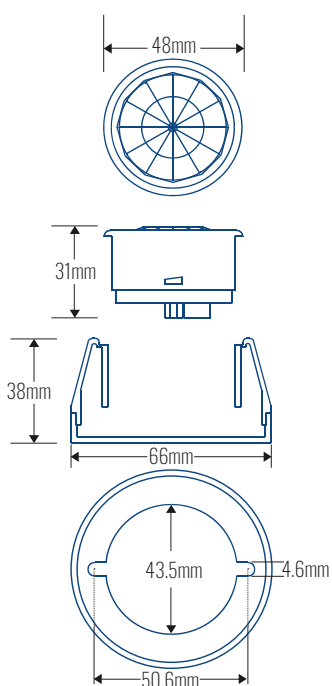
Offers variety of mounting options | Flexible configuration options | Simple LV bus connection to lighting control module | LED status indicator | 360 degree PIR presence detection | Wide range linear photocell | Programmable infra-red receiver

TECHNICAL SPECIFICATION

SUPPLY | Two wire E-Bus or DALI

WEIGHT | 60g

INGRESS PROTECTION | IP20



| | SPU.6-C1 | SPU.6-C3 |
|---|----------|----------|
| Presence detection - 360 degree | ✓ | ✓ |
| High performance photocell 2-2000 lux | ✓ | ✓ |
| Infra-red receiver | ✓ | ✓ |
| Flexible configuration via SPECS manager graphical software | ✓ | ✓ |
| Connects to E-Bus or DALI pair | ✓ | ✓ |
| Each control element (PIR, PC, IR) can be separately configured | ✓ | ✓ |
| Device status feedback | ✓ | ✓ |
| For Besa or conduit surface mounting | ✓ | |
| For Besa or conduit surface mounting with swivel for direction adjustment | | ✓ |

CONTACT US

T | 01992 450126

E | SALES@SIMMTRONIC.COM

E | AFTERSALES@SIMMTRONIC.COM

W | WWW.SIMMTRONIC.COM

HQ | LONDON & SOUTH

WATERSIDE

CHARLTON MEAD LANE

HODDESDON, HERTFORDSHIRE

EN11 0QR

MIDLANDS & NORTH

BLOC

17 MARBLE STREET

MANCHESTER

M2 3AW

SIMMTRONIC