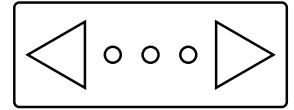


SPO.22

DALI TO DMX INTERFACE



INTERFACES

SPO.22 DALI TO DMX INTERFACE



KEY FEATURES

Allows control of luminaires with DMX RGBW control | Flexible configuration options via SPECS manager software
LED status indicator | Controlled from any SPH series DALI lighting control module | Automatically converts DALI value into DMX value

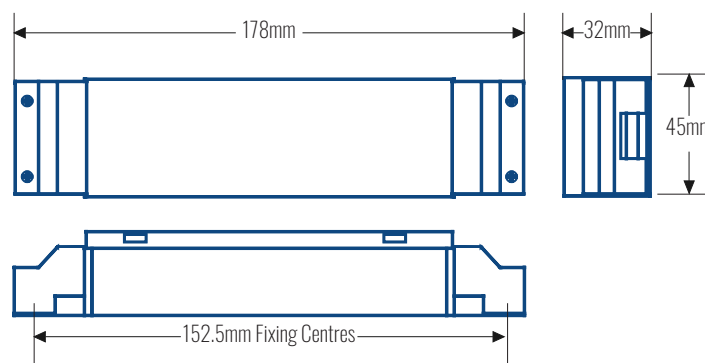
TECHNICAL SPECIFICATION

SUPPLY | 230VAC, 50Hz

MAX LOAD | 2a Max

WEIGHT | 118g

INGRESS PROTECTION | IP20



	SPO.20	SPO.22	SPO.5
Weighted DSI/DALI to 20 channel DMX converter	✓		
Digital 1:1 to 20 channel DMX converter		✓	
DALI to DMX RGBW LED Controller (50 colour pre-programmed palette)			✓

CONTACT US

T | 01992 450126
 E | SALES@SIMMTRONIC.COM
 E | AFTERSALES@SIMMTRONIC.COM
 W | WWW.SIMMTRONIC.COM

HQ | LONDON & SOUTH
 WATERSIDE
 CHARLTON MEAD LANE
 HODDESDON, HERTFORDSHIRE
 EN11 0QR

MIDLANDS & NORTH
 BLOC
 17 MARBLE STREET
 MANCHESTER
 M2 3AW

SIMMTRONIC