

SPL.105

SOLAR ENVIRONMENTAL SENSOR

SPL.105 SOLAR ENVIRONMENTAL SENSOR

A highly versatile and fully addressable Solar Environmental Sensor



KEY FEATURES

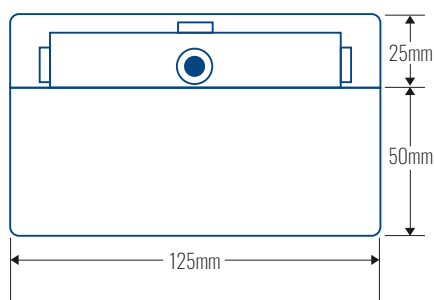
IP67 Solar Environmental Sensor | Monitors external sunlight conditions | Flexible configuration options | Simple LV bus connection from lighting control module or area controller | LED status indicator

TECHNICAL SPECIFICATION

SUPPLY | Two-wire or E-Bus

WEIGHT | 3.5Kg

INGRESS PROTECTION | IP67



	SPL105
High performance five axis wide range linear photocell	✓
Accurate, colour corrected light measurement	✓
Flexible configuration via SPECS manage graphic software	✓
Connects to E-Bus pair	✓
Device status feedback	✓
Lux range	Up to 100,000 lux
Lux resolution	2 lux
Suitable for daylight mimicking	✓
Suitable for dawn/dusk switching	✓
Suitable for blind control	✓

CONTACT US

T | 01992 450126

E | SALES@SIMMTRONIC.COM

E | AFTERSALES@SIMMTRONIC.COM

W | WWW.SIMMTRONIC.COM

HQ | LONDON & SOUTH

WATERSIDE

CHARLTON MEAD LANE

HODDESDON, HERTFORDSHIRE

EN11 0QR

MIDLANDS & NORTH

BLOC

17 MARBLE STREET

MANCHESTER

M2 3AW

SIMMTRONIC