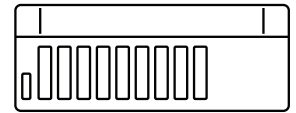


SPH.

LIGHTING CONTROL MODULES (27, 48, 227, 248)



LIGHTING CONTROL
MODULES

DALI HARDWIRED HUB

The SPH.27, SPH.48, SPH.227 and SPH.248 are fully addressable and intelligent lighting control modules



KEY FEATURES

Ideal for rise mounting applications | Flexible configuration options | Simple LV bus connections for input devices |
LED status indicator | DALI sub-addressable | Digital dimming

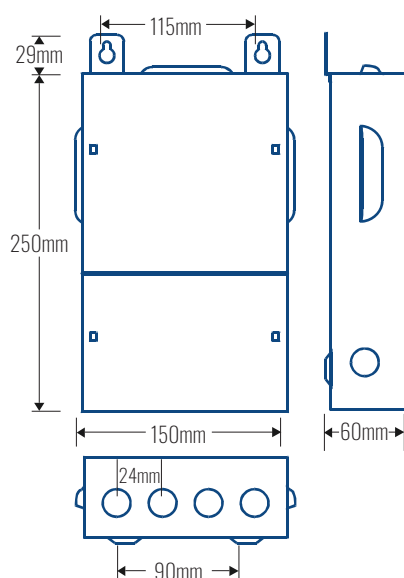
TECHNICAL SPECIFICATION

SUPPLY | 230VAC, 50Hz

MAX LOAD | 1 Amp (Controller only)

WEIGHT | 1.5Kg

INGRESS PROTECTION | IP20



	SPH.27	SPH.48	SPH.227	SPH.248
DALI outputs	2	2	4	4
DALI addressable outputs - Ballast	2x20	2x40	4x20	4x40
DALI addressable outputs - Emergency Inverter	2x10	2x20	4x10	4x20
DALI addressable outputs - Control devices	2x12	2x12	4x12	4x12
Supports Automated Emergency Testing	✓	✓	✓	✓
Full DALI addressability	✓	✓	✓	✓
Live lamp and gear control status via graphical viewers	✓	✓	✓	✓
Supports Load Shedding	✓	✓	✓	✓
Built in fade processing	✓	✓	✓	✓
Supports DALI bus connected SPECS sensors	✓	✓	✓	✓

CONTACT US
T | 01992 450126
E | SALES@SIMMTRONIC.COM
E | AFTERSALES@SIMMTRONIC.COM
W | WWW.SIMMTRONIC.COM

HQ | LONDON & SOUTH
WATERSIDE
CHARLTON MEAD LANE
HODDESDON, HERTFORDSHIRE
EN11 0QR

MIDLANDS & NORTH
BLOC
17 MARBLE STREET
MANCHESTER
M2 3AW

SIMMTRONIC