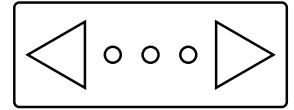




SPF.

AV INTERFACES (6-T & 61-T)



INTERFACES

# SPF.6-T & SPF.61-T AV INTERFACES



## KEY FEATURES

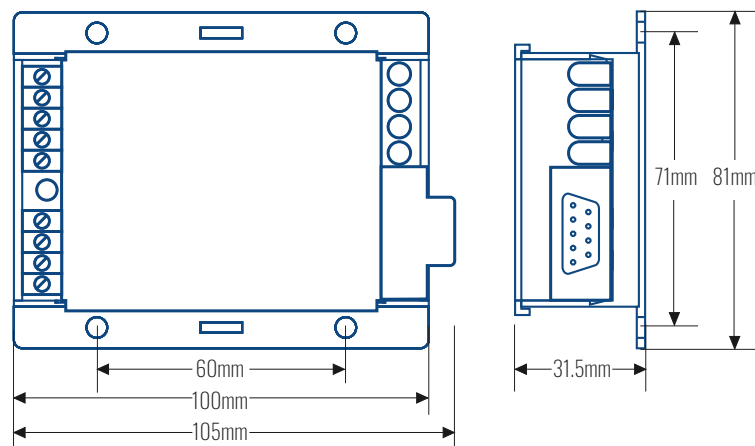
RS232 Serial Interface | Flexible configuration via SPECS manager software | Simple LV bus connection from lighting control module | LED status indicator | Isolated 9-Pin D-Type serial connection

## TECHNICAL SPECIFICATION

SUPPLY | Two-wire E-Bus

WEIGHT | 110g

INGRESS PROTECTION | IP20



	SPF.6-T	SPF.61-T
Allows up to x8 input commands from AV system	✓	✓
Provides same control functions as SPK.9 Intelligent Switchplate	✓	✓
Volt free manual/test inputs	✓	✓
LED test and status display	✓	✓
Allows feedback to let the SPK.9 LED buttons track the recalled scene		✓

---

**CONTACT US**

T | 01992 450126

E | SALES@SIMMTRONIC.COM

E | AFTERSALES@SIMMTRONIC.COM

W | WWW.SIMMTRONIC.COM

**HQ | LONDON & SOUTH**

WATERSIDE

CHARLTON MEAD LANE

HODDESDON, HERTFORDSHIRE

EN11 0QR

**MIDLANDS & NORTH**

BLOC

17 MARBLE STREET

MANCHESTER

M2 3AW

---

**SIMMTRONIC**