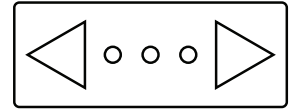




SPF.

FLEXIBLE INTERFACES (10&11)



INTERFACES

SPF.10 & SPF.11 FLEXIBLE INTERFACES



KEY FEATURES

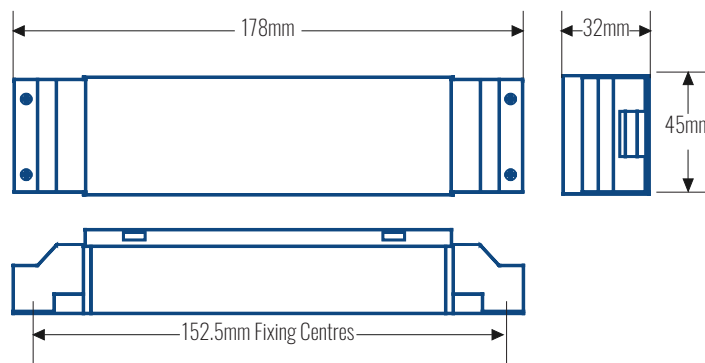
Provides volt free interface to either room partition switch or conventional switches | Flexible configuration via SPECS manager software | Simple LV bus connection from lighting control module | LED status indicators | Relay output

TECHNICAL SPECIFICATION

SUPPLY | Two-wire E-Bus

WEIGHT | 120g

INGRESS PROTECTION | IP20



	SPF.10	SPF.11
Allows up to x4 volt free contact closure inputs	✓	✓
Ideal for volt free inputs from room partition switches or conventional switches	✓	✓
Relay output suitable for local override of Fan Coil Units (FCU)	✓	✓
Non-latching relay output, suitable for Central Battery Unit (CBU) interfacing		✓

CONTACT US

T | 01992 450126

E | SALES@SIMMTRONIC.COM

E | AFTERSALES@SIMMTRONIC.COM

W | WWW.SIMMTRONIC.COM

HQ | LONDON & SOUTH

WATERSIDE

CHARLTON MEAD LANE

HODDESDON, HERTFORDSHIRE

EN11 0QR

MIDLANDS & NORTH

BLOC

17 MARBLE STREET

MANCHESTER

M2 3AW

SIMMTRONIC