

SPC.2031 IoT GATEWAY



- Small form factor, riser-mountable
- Comprehensive IP security
- MQTT and BACnet Protocols
- Autonomous operation for extra resilience

Overview

SPC.2031 IoT Gateway enhances the standard Simmtronic offering of a single building wide SPC.3020 Integrated Processor Unit, by providing an additional “per floor” solution for Smart Building deployments and Data Integration. This allows, for example, the floors’ end user to publish their own status data via MQTT separately from the rest of the building.

Optionally, the SPC.2031 platform can accommodate additional software modules (SPN.xxx) to provide other autonomous functions like automated DALI Emergency Lighting testing, BACnet interfacing, circadian rhythm control, astronomical time programs and other high level control and monitoring functions. This adds extra resilience to an already capable system.

Protocols

The SPC.2031 is built on a secure custom embedded platform which implements the latest internet security protocols to ensure data integrity. A firewall is included to prevent outside intrusion. The flexibility of DHCP and IPv6 allows easy integration into any network. The following protocols are implemented:

IPv4 and IPv6
DHCP
802.1x access control
TLS
NTP client

CONTACT US

T | 01992 450126
E | SALES@SIMMTRONIC.COM
E | AFTERSALES@SIMMTRONIC.COM
W | WWW.SIMMTRONIC.COM

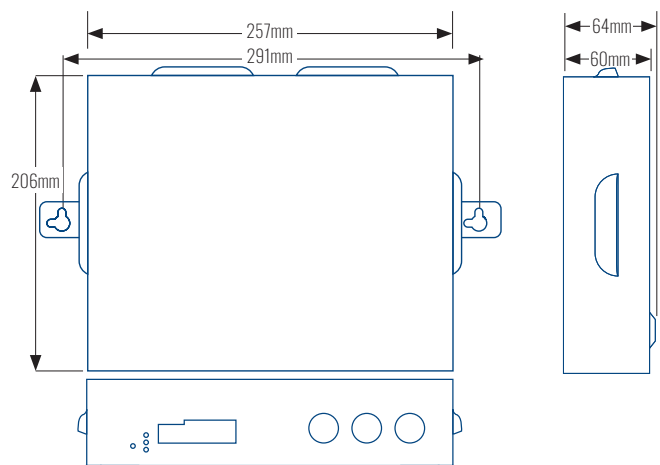
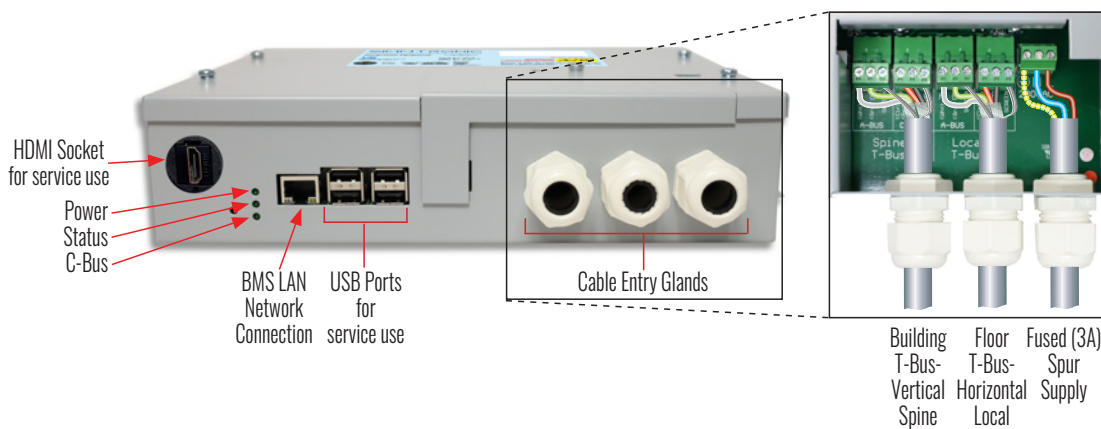
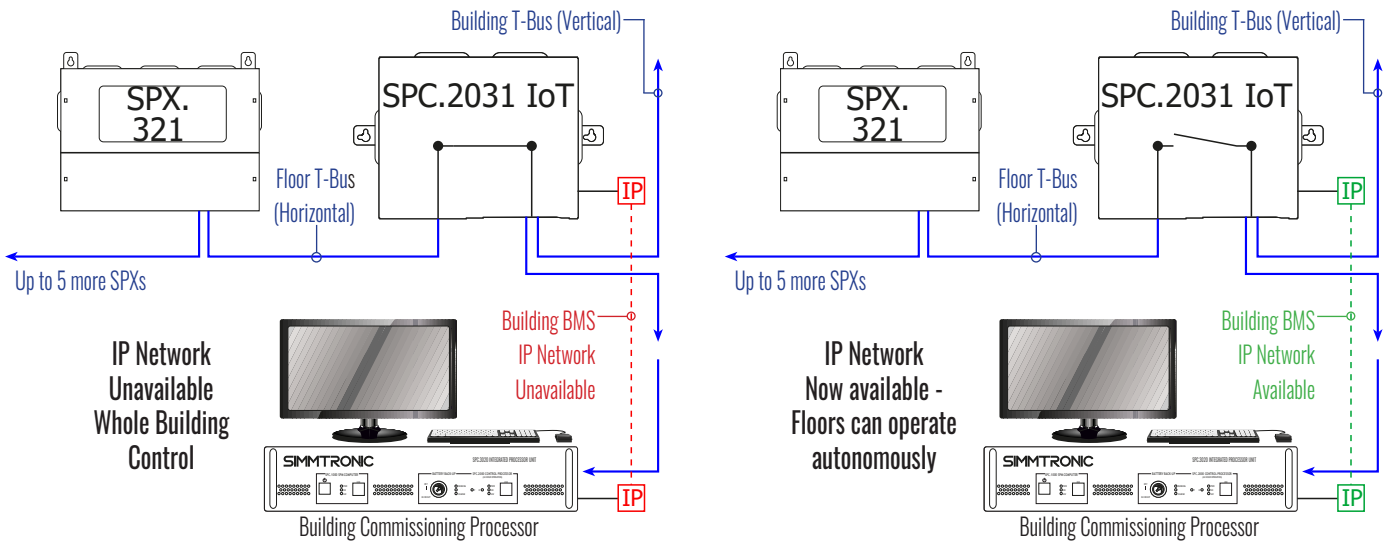
HQ | LONDON & SOUTH
WATERSIDE
CHARLTON MEAD LANE
HODDESDON, HERTFORDSHIRE
EN11 0QR

MIDLANDS & NORTH
BLOC
17 MARBLE STREET
MANCHESTER
M2 3AW

Installation

The SPC.2031 is suited for mounting in an electrical cupboard and can connect to up to six SPX area controllers via T-Bus, which is sufficient for very large floors.

A T-Bus spine is connected between each SPC.2031 typically running vertically through a single electrical riser. This allows all SPX area controllers to be networked completely via T-Bus and allows commissioning and testing to proceed in advance of the IP Network. As the IP network becomes available each SPC.2031 can be remotely switched over from the T-Bus spine to the IP Network. If there are any subsequent commissioning issues with the IP Network then the SPC.2031 can be easily switched back to T-Bus until the IP network is again available.



General Specification

Weight:	1.7kg
Power:	5w Typ, 10w Max
Electrical:	220-240 Volts 50Hz
Temperature:	5 to +30°C ambient

Part No. Description

SPC.2031	IoT Gateway
----------	-------------

ISSUE A

SIMMTRONIC