

UNIVERSAL SENSOR WITH
INTEGRATED EMERGENCY LIGHT:
SPU.6-C7 RECESSED MOUNT

UNIVERSAL SENSOR WITH INTEGRATED EMERGENCY LIGHT: SPU.6-C7 RECESSED MOUNT



Advances in LED performance have driven remarkably compact solutions for emergency lighting. This technology requires a ceiling spacing that is closely matched to that required by lighting control zones and so aligns with lighting control sensor spacing.

The Universal Sensor with Integrated Emergency Light product range matches aesthetically with existing Simmtronic sensor products.

The solution is formed out of a partnership between Simmtronic and Mackwell and comprises:

Simmtronic SPU.6-C Compact Control Sensor

Single Point Mounting Solution : Designed and Manufactured by Simmtronic.

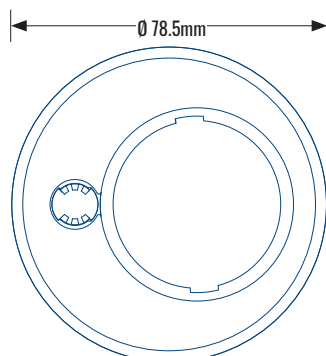
Mackwell XY-Fi : “The world’s smallest emergency LED solution” (See Mackwell Website : <https://www.mackwell.com>, search for Conversion Solutions).

KEY FEATURES

Combined lighting control system sensor and Non-Maintained emergency light in one housing | Improved ceiling appearance, fewer items | Reduced installation costs | SPU.6-C has Dual Bus connectivity | Emergency control gear and battery are serviceable through recess mount holder cut-out | Modular concept supports 2 stage installation when required

In Situ Example

SPU.6-C7: Recessed Mount with Integrated Emergency Light



Recommended hole cut-out size \varnothing 68mm.

Spring clips suitable for solid or sandwich coating tiles, 1-20mm thick.

CONTACT US
T | 01992 450126
E | SALES@SIMMTRONIC.COM
E | AFTERSALES@SIMMTRONIC.COM
W | WWW.SIMMTRONIC.COM

HQ | LONDON & SOUTH
WATERSIDE
CHARLTON MEAD LANE
HODDESDON, HERTFORDSHIRE
EN11 0QR

MIDLANDS & NORTH
LOWRY HOUSE
17 MARBLE STREET
MANCHESTER
M2 3AW

SIMMTRONIC