

SPU.6

SENSORS (C5)

SPU.6-C5 SENSOR

The SPU.6-C5 is a fully intelligent and addressable sensor



KEY FEATURES

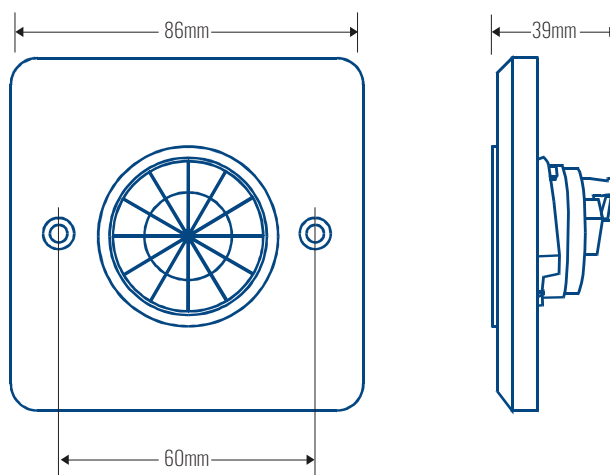
Offers variety of mounting options | Flexible configuration options | 360 degree PIR presence detection | Simple LV bus connection to lighting control module | Wide range linear photocell | LED status indicator | Programmable infra-red receiver

TECHNICAL SPECIFICATION

SUPPLY | Two wire E-Bus or DALI

WEIGHT | 60g

INGRESS PROTECTION | IP20



	SPU.6-C5
Presence detection - 360 degree	✓
High performance photocell 2-2000 lux	✓
Infra-red receiver	✓
Flexible configuration via SPECS manager graphical software	✓
Connects to E-Bus or DALI pair	✓
Each control element (PIR, PC, IR) can be seperately configured	✓
Device status feedback	✓
For mounting into single metal clad surface mount back box	✓

CONTACT US

T | 01992 456865

E | SALES@SIMMTRONIC.COM

E | AFTERSALES@SIMMTRONIC.COM

W | WWW.SIMMTRONIC.COM

HQ | LONDON & SOUTH

WATERSIDE

CHARLTON MEAD LANE

HODDESDON, HERTFORDSHIRE

EN11 0QR

MIDLANDS & NORTH

LOWRY HOUSE

17 MARBLE STREET

MANCHESTER

M2 3AW

SIMMTRONIC