

# SPU.6

SENSORS (C1 & C3)

# SPU.6-C1 & C3 SENSORS

The SPU.6-C1 & the SPU.6-C3 are fully intelligent and addressable sensors



SPU.6-C1



SPU.6-C3

## KEY FEATURES

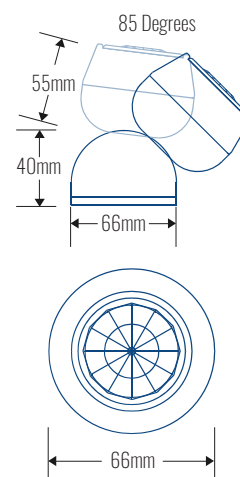
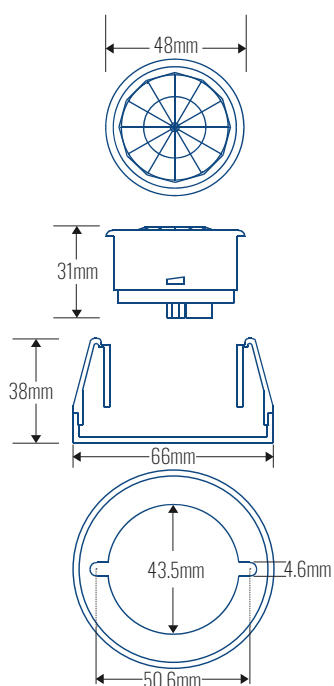
Offers variety of mounting options | Flexible configuration options | Simple LV bus connection to lighting control module | LED status indicator | 360 degree PIR presence detection | Wide range linear photocell | Programmable infra-red receiver

## TECHNICAL SPECIFICATION

SUPPLY | Two wire E-Bus or DALI

WEIGHT | 60g

INGRESS PROTECTION | IP20



	SPU.6-C1	SPU.6-C3
Presence detection - 360 degree	✓	✓
High performance photocell 2-2000 lux	✓	✓
Infra-red receiver	✓	✓
Flexible configuration via SPECS manager graphical software	✓	✓
Connects to E-Bus or DALI pair	✓	✓
Each control element (PIR, PC, IR) can be separately configured	✓	✓
Device status feedback	✓	✓
For Besa or conduit surface mounting	✓	
For Besa or conduit surface mounting with swivel for direction adjustment		✓

---

**CONTACT US**

T | 01992 456865

E | SALES@SIMMTRONIC.COM

E | AFTERSALES@SIMMTRONIC.COM

W | WWW.SIMMTRONIC.COM

**HQ | LONDON & SOUTH**

WATERSIDE

CHARLTON MEAD LANE

HODDESDON, HERTFORDSHIRE

EN11 0QR

**MIDLANDS & NORTH**

LOWRY HOUSE

17 MARBLE STREET

MANCHESTER

M2 3AW

---

**SIMMTRONIC**