

SPX.

AREA CONTROLLERS (320 & 330)

# SPX AREA CONTROLLERS

The SPX.320 and SPX.330 are powerful, highly versatile and fully intelligent area controllers



SPX.320



SPX.330

## KEY FEATURES

High performance networked area controller | Flexible configuration via SPECS manager graphical software | Provides direct control of lighting control modules | Lockable keypad for override function | IP connected option | Located in riser

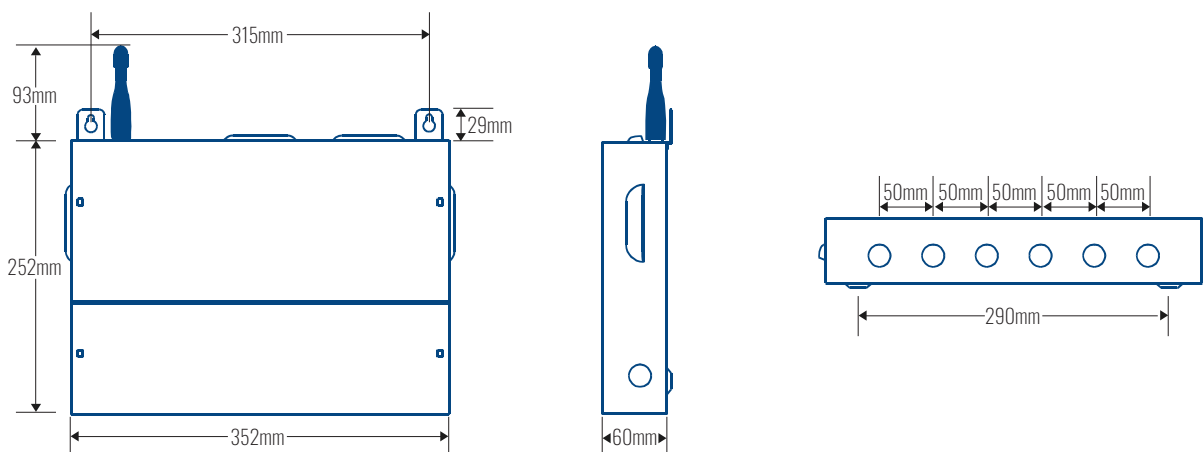
## TECHNICAL SPECIFICATION

SUPPLY | 230VAC, 50Hz

FUSE | 3A fused supply

WEIGHT | 2.75Kg

INGRESS PROTECTION | IP20



	SPX.320	SPX.330
Pre-commissioning mode for system testing	✓	✓
Supports SPECS radio switchplates	✓	✓
Connectivity method to other area controllers and head end	T-Bus	IP or T-Bus
Lockable soft switchplate providing override functions	✓	✓
Data retention (un-powered)	10 years	10 years
Supports lighting control modules	128	128
Supports sensors, switches and interfaces	128	128
Fire alarm override input	✓	✓
Load shed override input	✓	✓

---

**CONTACT US**

T | 01992 456865

E | SALES@SIMMTRONIC.COM

E | AFTERSALES@SIMMTRONIC.COM

W | WWW.SIMMTRONIC.COM

**HQ | LONDON & SOUTH**

WATERSIDE

CHARLTON MEAD LANE

HODDESDON, HERTFORDSHIRE

EN11 0QR

**MIDLANDS & NORTH**

LOWRY HOUSE

17 MARBLE STREET

MANCHESTER

M2 3AW

---

**SIMMTRONIC**