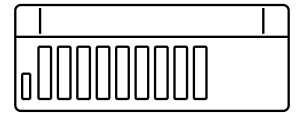


SPV.

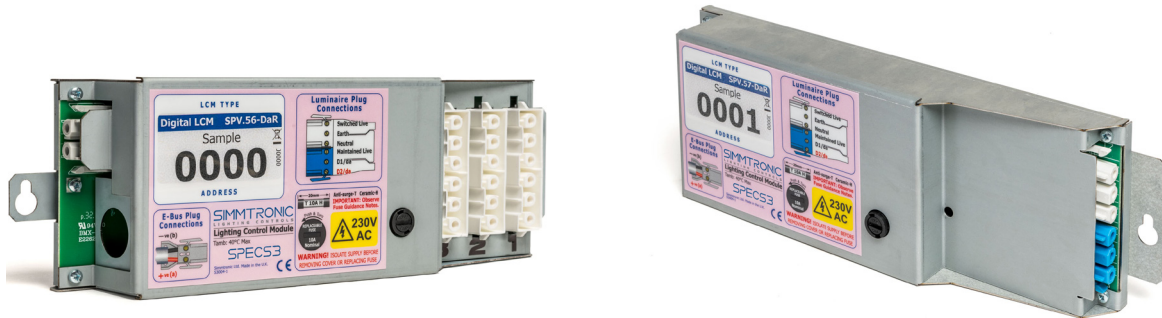
LIGHTING CONTROL MODULES (56 & 57)



LIGHTING CONTROL
MODULES

COMPACT DALI LIGHTING CONTROL MODULES

The SPV.56 & SPV.57 are highly versatile, fully intelligent, addressable lighting control modules



KEY FEATURES

Ideal for accessible ceiling applications with limited space | Flexible configuration options | Simple LV bus connections for input devices | LED status indicator | Externally accessible fuse | DALI sub-addressable | Digital dimming

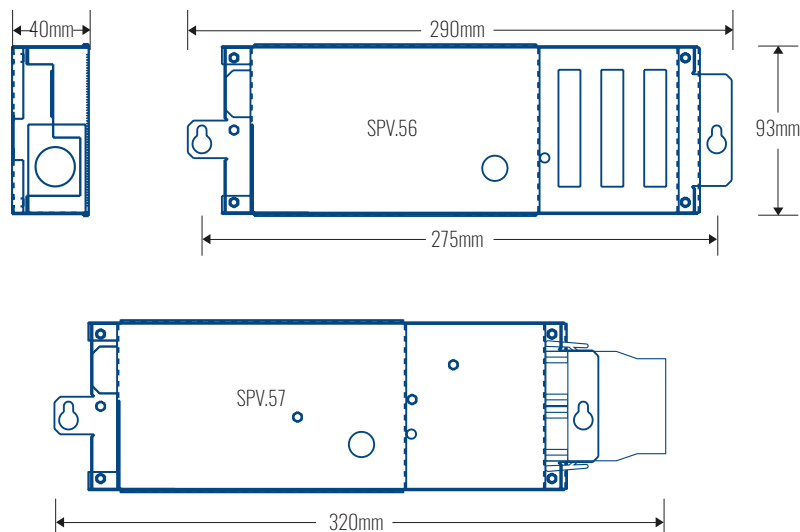
TECHNICAL SPECIFICATION

SUPPLY | 230VAC, 50Hz

MAX LOAD | 1500w

WEIGHT | 0.8Kg

INGRESS PROTECTION | IP20



	SPV.56	SPV.57
1.5kw Potential Load (10A Fuse, 20mm)	✓	✓
DALI addressable outputs up to x20 ballast and inverter	✓	✓
DALI addressable outputs upto x12 control devices	✓	✓
Supports Automated Emergency Testing	✓	✓
Supports software configurable Manual Emergency Testing	✓	✓
Individually addressable ports	✓	✓
Supports Load Shedding	✓	✓
Built in fade-processing	✓	✓
x3 output ports, each with switching relay	✓	
x1 output port with switching replay		✓
Suitable for use with modular wiring systems	✓	✓

CONTACT US

T | 01992 456865

E | SALES@SIMMTRONIC.COM

E | AFTERSALES@SIMMTRONIC.COM

W | WWW.SIMMTRONIC.COM

HQ | LONDON & SOUTH

WATERSIDE

CHARLTON MEAD LANE

HODDESDON, HERTFORDSHIRE

EN11 0QR

MIDLANDS & NORTH

LOWRY HOUSE

17 MARBLE STREET

MANCHESTER

M2 3AW

SIMMTRONIC