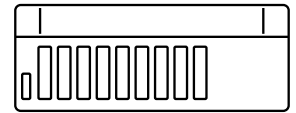


SPO.

LIGHTING CONTROL MODULES (227 & 248)



LIGHTING CONTROL
MODULES

DALI INTELLIGENT MODULAR DISTRIBUTION BOX

The SPO.227 and SPO.248 are highly versatile and fully addressable



KEY FEATURES

Ideal for exposed or accessible ceiling applications | Flexible configuration options | Simple LV bus connections for input devices | LED status indicator | DALI sub-addressable | Soffit mountable via keyholes | Pluggable home run cable

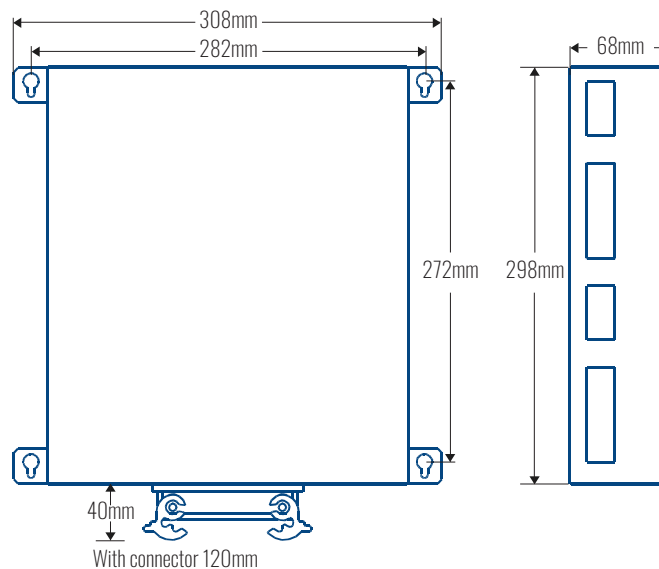
TECHNICAL SPECIFICATION

SUPPLY | 230VAC, 50Hz

MAX LOAD | 1 amp (controller only)

WEIGHT | 3Kg

INGRESS PROTECTION | IP20



	SPO.227	SPO.248
Provide x4 lighting circuits and x2 auxiliary circuits, each circuit has max potential rating of 16 amps	✓	✓
DALI addressable outputs - ballast	4 x 20	4 x 40
DALI addressable outputs - emergency inverters	4 x 10	4 x 20
DALI addressable outputs - control devices	4 x 12	4 x 12
Supports Automated Emergency Testing	✓	✓
Live lamp and control gear status via graphical viewers	✓	✓
Supports Load Shedding	✓	✓
Built-in fade processing	✓	✓
Supports DALI bus connected SPECS sensors	✓	✓
Suitable for use with modular wiring systems	✓	✓

CONTACT US

T | 01992 456865

E | SALES@SIMMTRONIC.COM

E | AFTERSALES@SIMMTRONIC.COM

W | WWW.SIMMTRONIC.COM

HQ | LONDON & SOUTH

WATERSIDE

CHARLTON MEAD LANE

HODDESDON, HERTFORDSHIRE

EN11 0QR

MIDLANDS & NORTH

LOWRY HOUSE

17 MARBLE STREET

MANCHESTER

M2 3AW

SIMMTRONIC